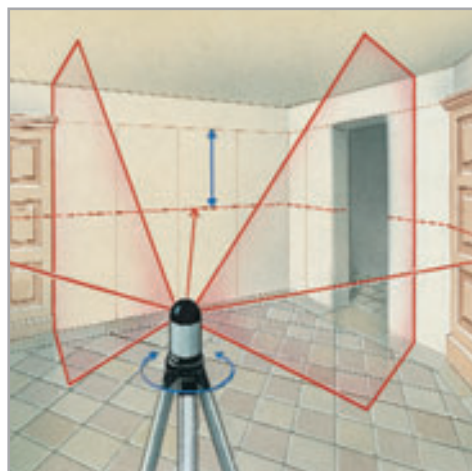
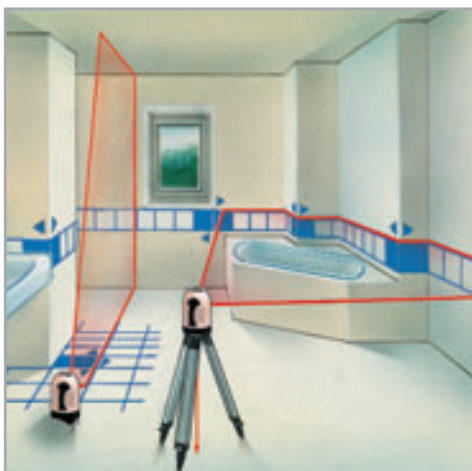
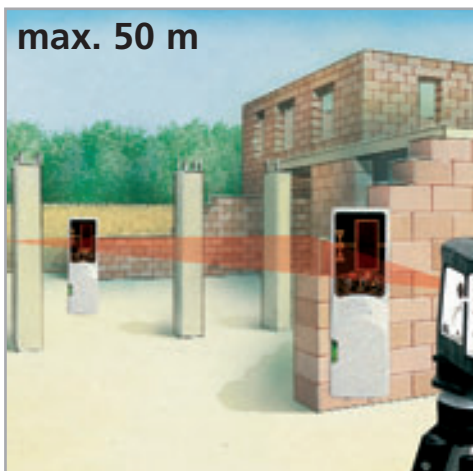


Cross and Line Lasers

max. 50 m



AutoCross Laser ACL 2 RX

The cross-line laser for interior finishing work with 2 clearly visible laser lines. The laser receiver can detect laser lines regardless of ambient light conditions - ideal for all indoor and outdoor applications. Magnetically-damped pendulum system for automatic alignment, 3-6° self-levelling range. Pendulum can be locked for protection during transport. The unit's magnetic base makes it very versatile - it can be mounted on a tripod, on the wall or attached to magnetic objects. Precision 3 mm/10 m, maximum range of laser receiver up to 50 m radius.

1 031.100A



Laser
635 nm

AUTOMATIC LEVEL



READY

PT

magnetic

New



F



Laser-receiver RX

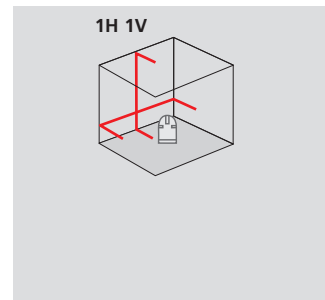
Universal mount



Magnetic base



Carrying case and Batteries



AutoCross Laser ACL 2C RX

The cross-line laser with additional plumb laser at the bottom of the unit. The laser receiver can detect laser lines regardless of ambient light conditions - ideal for all indoor and outdoor applications. Magnetically-damped pendulum system for automatic alignment, 3° self-levelling range, wide-range vertical laser line. Pendulum can be locked for protection during transport. The pivoted housing can be turned with a vernier adjustment mechanism to permit exact positioning of laser lines. Precision 2 mm/10 m, maximum range of laser receiver up to 50 m radius.

1 031.200A



Laser
635 nm

AUTOMATIC LEVEL



READY

IQ

New



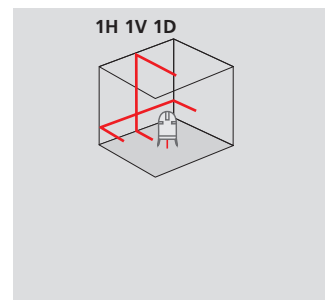
Laser-receiver RX

Universal mount

Tripod adapter (for Crank Tripods)



Carrying case and Batteries



AutoCross Laser ACL 3 RX

The cross-line laser with additional reference line. The laser receiver can detect laser lines regardless of ambient light conditions - ideal for all indoor and outdoor applications. Slope function permits inclinations to be laid out. The laser cross at the top and the adjusting plate allow a plumb line to be drawn. Magnetically-damped pendulum system for automatic alignment, 4.5° self-levelling range. Pendulum can be locked for protection during transport. Precision 2 mm/10 m, maximum range of laser receiver up to 50 m radius.

1 030.100A



Laser
635 nm

AUTOMATIC LEVEL



READY

IQ



Laser-receiver RX

Universal mount



Base

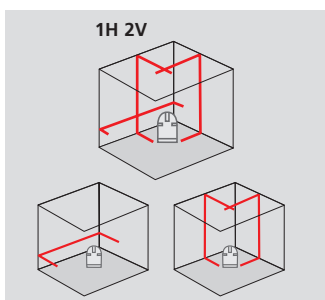


Adjustment plate



Softbag

and Batteries

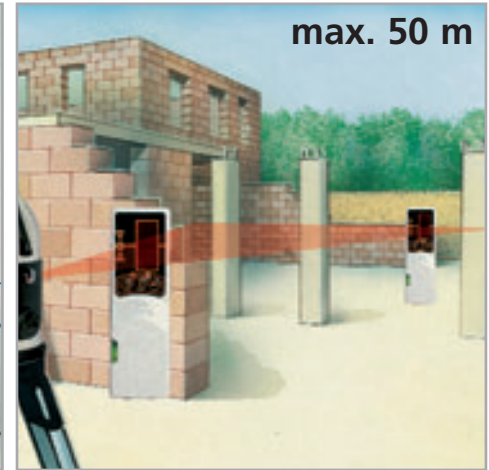
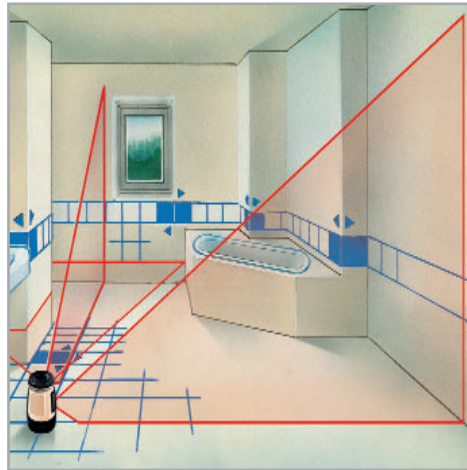
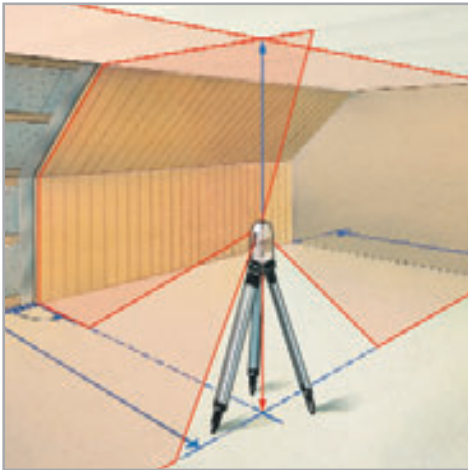


Description

VE

Order No.
(EAN-Code)

Cross and Line Lasers



Laser-receiver RX
Universal mount



Tripod adapter (for Crank Tripods)



Softbag

and Batteries

AutoCross Laser ACL 2P RX

The cross-line laser with additional plumb laser. The laser receiver can detect laser lines regardless of ambient light conditions - ideal for all indoor and outdoor applications. The plumb laser allows a plumb line to be drawn from the ceiling to the floor. Magnetically-damped pendulum system for automatic alignment, 3° self-levelling range. Pendulum can be locked for protection during transport. The pivoted housing can be turned with a vernier adjustment mechanism to permit exact positioning of laser lines. Precision 2 mm/10 m, maximum range of laser receiver up to 50 m radius.

1

038.00.00A



4 021563 661312

IQ

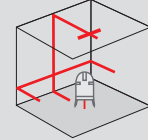
Laser
635 nm

AUTOMATIC LEVEL



READY

1H 1V 1D



F



Laser-receiver RX
Universal mount



Tripod adapter (for Crank Tripods)



Carrying case

and Batteries

AutoCross-Laser ACL 4P RX

The cross-line laser with 4 line lasers and additional plumb laser. The laser receiver can detect laser lines regardless of ambient light conditions - ideal for all indoor and outdoor applications. The special arrangement of the laser beams projects homogeneous laser lines onto walls, floors and ceilings. The laser cross at the top and the plumb laser allow a plumb line to be drawn from the ceiling to the floor. Magnetically-damped pendulum system for automatic alignment, 3° self-levelling range, magnetically damped. Pendulum can be locked for protection during transport. The pivoted housing can be turned with a vernier adjustment mechanism to permit exact positioning of laser lines. Precision 2 mm/10 m, maximum range of laser receiver up to 50 m radius.

1

033.00.00A



4 021563 656578

IQ

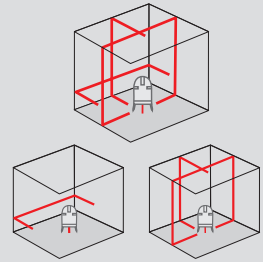
Laser
635 nm

AUTOMATIC LEVEL



READY

1H 3V 1D



New



Battery upgrade

High-quality charger including 4 high-performance batteries, type AA.

1

039.900A



4 021563 663613

IQ